

TECHNICAL DATASHEET

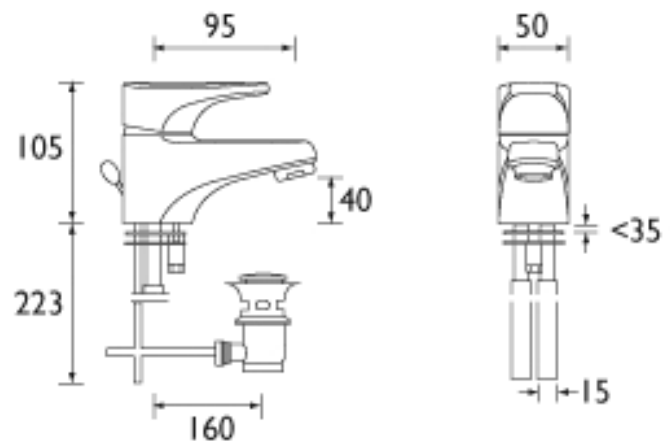
JUTE

JUTE BASIN MIXER



Product Specification

Product Code:	JU BAS C
Finish:	Chrome
Product Type:	Contemporary
Construction:	Body is of brass construction and is designed to conform to BS EN 817
Cartridge Type:	40mm ceramic disc cartridge
Supply:	Suitable for all plumbing systems
Inlet Connections:	M10 x 15mm flexible tail pipes
Water Pressure:	Min. 0.2 bar, Max. 8.0 bar



Additional Information

- Supplied with Pop-up waste
- Chrome plated to BS EN 248
- Metal fixing nuts
- Metal handle

Technical Advice: For further information please call 0844 7016273 or email customer@bristan.com.
Guarantee: 5 years covering manufacturing faults.

Compliance/Approvals

WRAS: Certificate No: 1203051

Flow Rates (litres per minute)

System Pressure	0.2bar	0.5bar	1bar	2bar	3bar	5bar
JU BAS C (mixed)	5.7	9.5	13.7	19.6	24.0	31.2

Bristan, Birch Coppice Business Park, Dordon, Tamworth, B78 1SG
 Telephone: 0844 701 6274 Facsimile: 0844 701 6275
 Web Site: www.bristan.com Email: enquire@bristan.com

